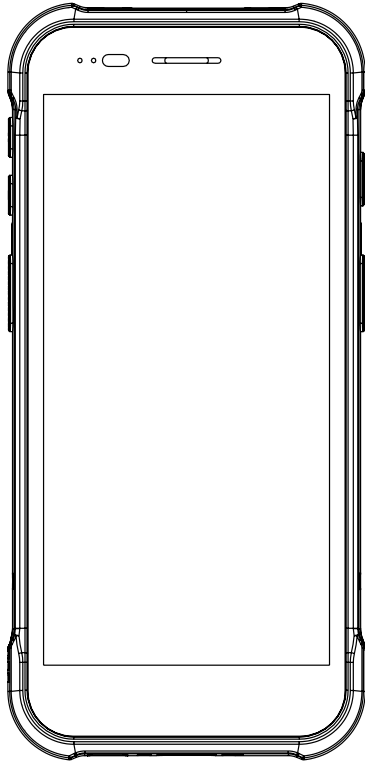


Quick Start Guide

PM75



V1.0, Sep 2021

Copyright © 2021 Point Mobile Co., Ltd. All rights reserved.

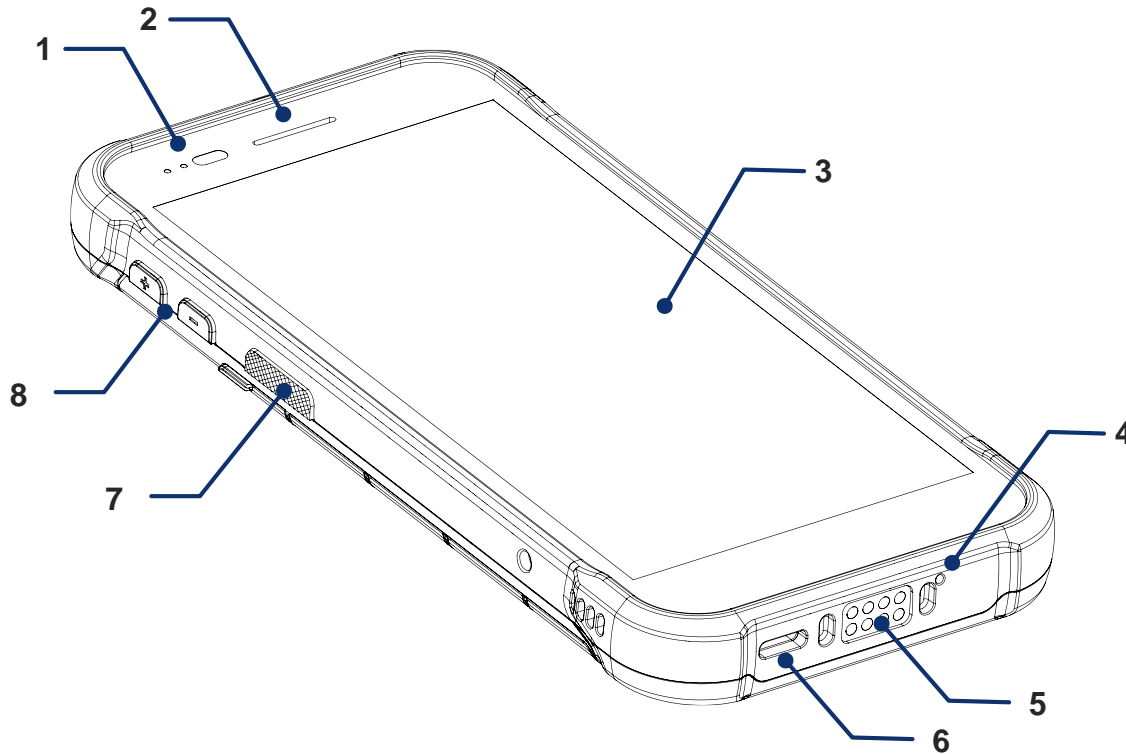
Point Mobile Co., Ltd. is the designer and manufacturer of mobile handheld devices.

The Point Mobile logo is a registered trademark and symbol of Point Mobile Co., Ltd.

Features and specifications are subject to change without prior notice.

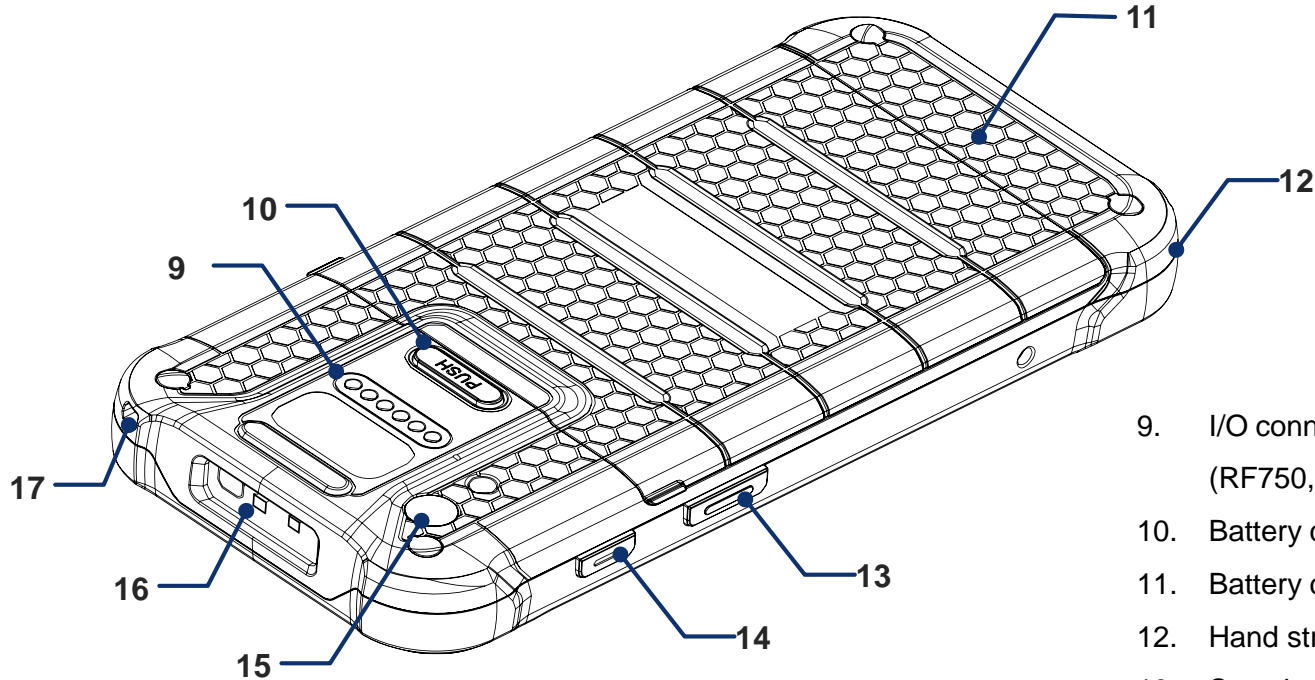


Device Parts



1. LED indicator & Sensor
2. Receiver
3. Touch screen
4. Microphone
5. I/O connector
6. USB Type C connector
7. Push-To-Talk (Default)
/ Scan button (Programmable)
8. Volume up & down button

Device Parts



- 9. I/O connector for sled accessory (RF750, Gun handle)
- 10. Battery cover release button
- 11. Battery cover
- 12. Hand strap hole (bottom)
- 13. Scan button (Right)
- 14. Power button
- 15. Rear camera & Flashlight
- 16. Scanner
- 17. Hand strap hole (top)

Product Standard Accessories



Standard battery



AC/DC power supply



Country plug



USB type C cable



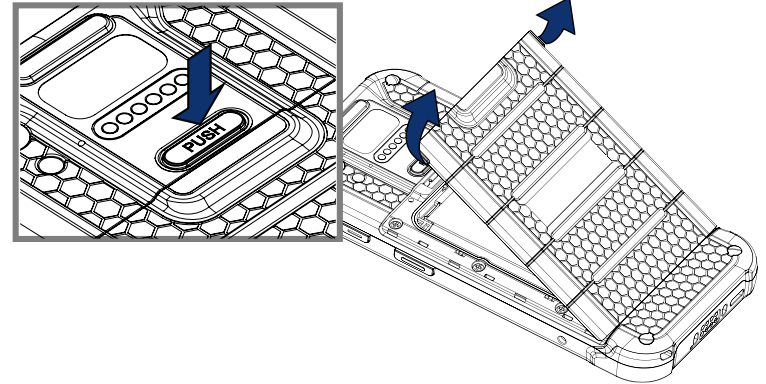
LCD protection film



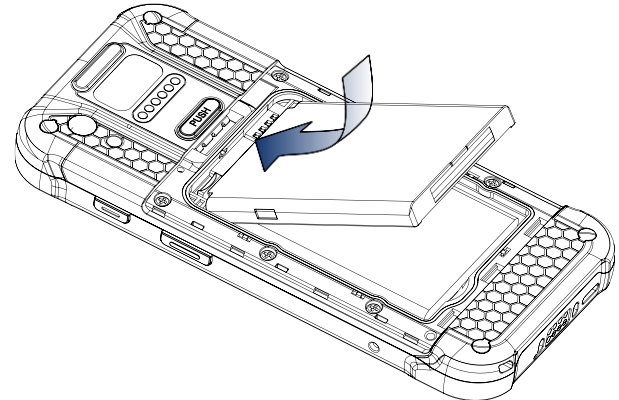
Hand strap

Install Battery

1. Open the battery cover while pressing the battery cover release button.



2. Insert the battery from top to bottom so that the battery connectors are in contact.

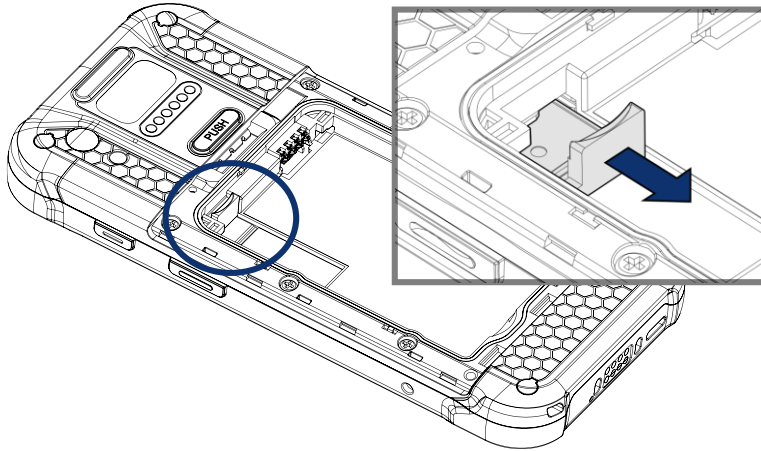


3. Close the battery cover from bottom to top, and close it firmly by pressing the edges.

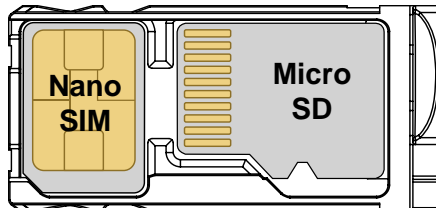
Install SIM, SD card

PM75 supports nano SIM and microSD card. (SIM card is supported by LTE SKU only.)

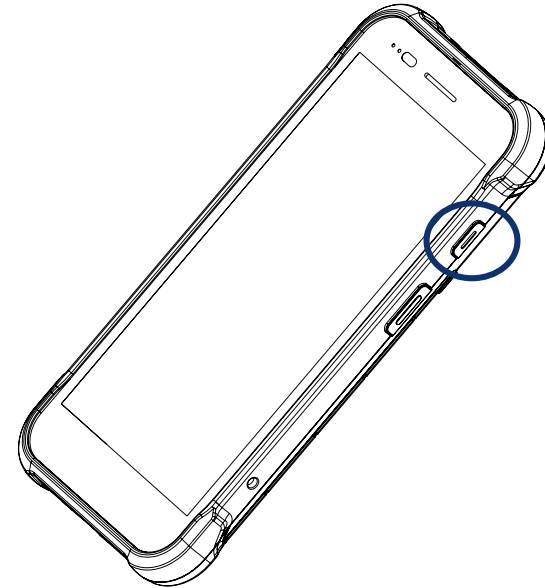
1. Open the battery cover and remove the battery.
2. Gently pull out the card tray on the top of the battery slot.



3. Put the SIM card and SD card onto the correct slot with the contacts facing up.



Turn on / off



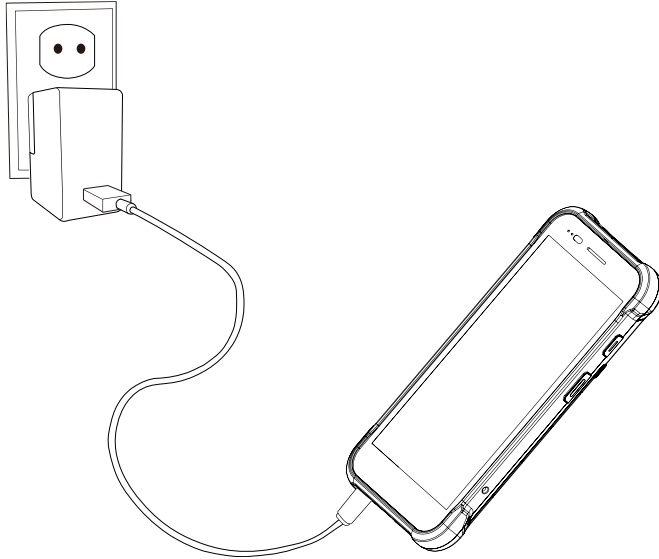
Turn on

Press and hold the **Power** button on the right side of PM75 until **SMART BEYOND RUGGED** logo displays on the screen.

Turn off

When the screen is on, press and hold the **Power** button until the power menu is shown. Then, tap **Power off** among the menu.

Charging the Device



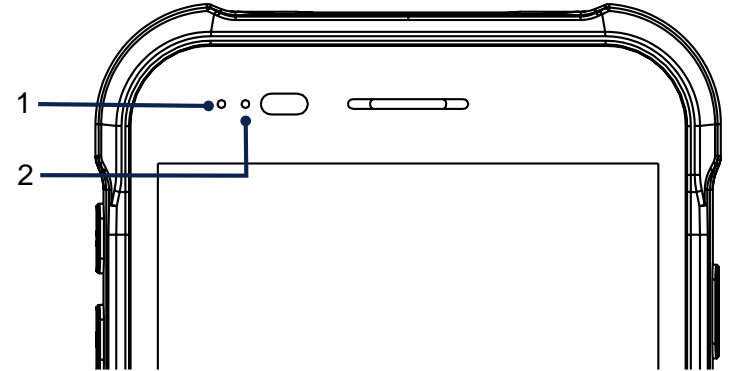
1. Assemble the AC/DC power supply, country plug and USB type C cable.
2. Connect the cable to the USB connector of PM75.
3. Provide power by plugging the power supply to the wall socket.

PM75 can be charged with charging cradle (sold separately).

< Caution >

1. Always use an original power supply from Point Mobile. Other chargers and cables may damage the PM75. The device warranty does not cover any damage caused by the usage of non-original power supplies.
2. Make sure the charger and cable is not wet.

LED Indicator



No	Indicator	Status	Indication
1	Power LED	Solid green	Device is fully charged
		Solid red	Charging the device (with charger) / Battery is low (without charger)
		Blinking red	Charging temperature is too low or high (with charger) / Battery is very low (without charger)
		Alternately blinking red & green	Cannot recognize the battery
2	Notification LED	Solid red	Device entered hot swap mode
		Blinking blue	Notification existing
		Red flash	Barcode reading failed
		Blue flash	Barcode reading success

Scan a Barcode

Scanner is placed on the top of the PM75.

Scanner is disabled by default, so enable the scanner from **ScanSettings** first.

Then, press a scan button on the device to scan a barcode.

Ideal Aiming

Create the green dot aimer or the cross-hair laser aimer over the barcode.

The entire barcode must be inside the illumination square.



N3601 Scanner SKU

N6603 Scanner SKU



Certification

Model: PM75

Trade name of certified: Point Mobie Co. Ltd.

Manufacturer: Point Mobile

For more certificate information,
go **Settings > About phone > Certificates**.